

For sealed heating installations (acc. to EN12828) and chilled water (cooling) installations.

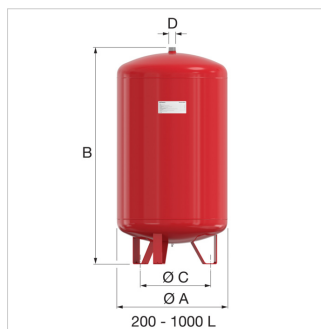
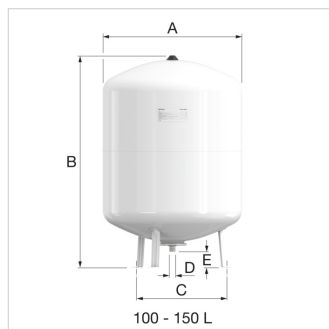
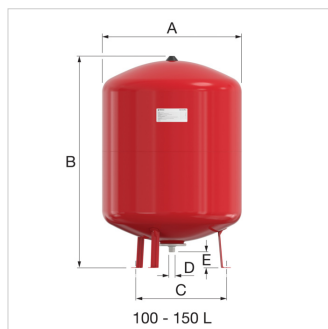



Advantages


- Nitrogen gas filling for longer maintenance of pre-pressure.
- Each vessel is factory tested.
- Diaphragm: Flexible rubber with rolling action.

Technical Specifications

- Maximum working pressure: 6.0 bar.
- Vessels in accordance with EN13831.
- Suitable for systems with a maximum system temperature of 120 °C.
- Min./ max. temperature diaphragm: -10 / 70 °C.
- Suitable for addition of glycol-based anti-freeze up to 50%.
- All welded construction.
- In accordance with Pressure Equipment Directive 2014/68/EU.
- Tilting height:
800L: 1865 mm.
1000L: 2195 mm.
- Red (RAL 3002) epoxy powder coating.



Type	Capacity [l]	Pre-charge [bar]	Dimensions				Syst. conn. (D)	Weight [kg]		Order Code
			Ø A [mm]	B [mm]	Ø C [mm]	E [mm]				
Contraflex 100/1.5 [6bar]	100	1.5	550	630	440	63	G 3/4" M	13.9	8	26103
Contraflex 100/2.5 [6bar]	100	2.5	550	630	440	63	G 3/4" M	13.9	8	26105
Contraflex 100/2.5 [6bar] white	100	2.5	550	630	440	63	G 3/4" M	13.9	8	16350
Contraflex 100/3.0 [6bar]	100	3.0	550	630	440	63	G 3/4" M	13.9	8	17114
Contraflex 150/1.5 [6bar]	150	1.5	550	837	440	63	G 3/4" M	17.6	8	16153
Contraflex 150/2.5 [6bar]	150	2.5	550	837	440	63	G 3/4" M	17.6	8	26155
Contraflex 150/2.5 [6bar] white	150	2.5	550	837	440	63	G 3/4" M	17.6	8	16351
Contraflex 150/3.0 [6bar]	150	3.0	550	837	440	63	G 3/4" M	17.6	8	17119
Contraflex 200/1.5 [6bar]	200	1.5	484	1300	360	-	R 1"	25.0	8	26213
Contraflex 200/2.5 [6bar]	200	2.5	484	1300	360	-	R 1"	25.0	8	26215
Contraflex 200/2.5 [6bar] white	200	2.5	484	1300	360	-	R 1"	25.0	8	16352
Contraflex 200/3.0 [6bar]	200	3.0	484	1300	360	-	R 1"	25.0	8	17124
Contraflex 250/1.5 [6bar]	250	1.5	600	1153	450	-	R 1"	31.8	6	16253
Contraflex 250/2.5 [6bar]	250	2.5	600	1153	450	-	R 1"	31.8	6	26225
Contraflex 250/2.5 [6bar] white	250	2.5	600	1153	450	-	R 1"	31.8	6	16353
Contraflex 300/1.5 [6bar]	300	1.5	600	1330	450	-	R 1"	35.6	6	26303
Contraflex 300/2.5 [6bar]	300	2.5	600	1330	450	-	R 1"	35.6	6	26305
Contraflex 300/2.5 [6bar] white	300	2.5	600	1330	450	-	R 1"	35.6	6	16354
Contraflex 300/3.0 [6bar]	300	3.0	600	1330	450	-	R 1"	35.6	6	17134
Contraflex 400/1.5 [6bar]	400	1.5	790	1180	610	-	R 1"	53.4	1	26413
Contraflex 400/2.5 [6bar]	400	2.5	790	1180	610	-	R 1"	53.4	1	26415
Contraflex 400/2.5 [6bar] white	400	2.5	790	1180	610	-	R 1"	53.4	1	16355
Contraflex 400/3.0 [6bar]	400	3.0	790	1180	610	-	R 1"	53.4	1	17144
Contraflex 500/1.5 [6bar]	500	1.5	790	1330	610	-	R 1"	60.2	1	26523
Contraflex 500/2.5 [6bar]	500	2.5	790	1330	610	-	R 1"	60.2	1	26525
Contraflex 500/2.5 [6bar] white	500	2.5	790	1330	610	-	R 1"	60.2	1	16356
Contraflex 600/1.5 [6bar]	600	1.5	790	1538	610	-	R 1"	67.0	1	17162
Contraflex 600/2.5 [6bar]	600	2.5	790	1538	610	-	R 1"	67.0	1	26625
Contraflex 600/2.5 [6bar] white	600	2.5	790	1538	610	-	R 1"	67.0	1	16357
Contraflex 600/3.0 [6bar]	600	3.0	790	1538	610	-	R 1"	67.0	1	17164
Contraflex 800/1.5 [6bar]	800	1.5	790	1888	610	-	R 1"	84.2	1	17181
Contraflex 800/2.5 [6bar]	800	2.5	790	1888	610	-	R 1"	84.2	1	26825
Contraflex 800/2.5 [6bar] white	800	2.5	790	1888	610	-	R 1"	84.2	1	16358
Contraflex 800/3.0 [6bar]	800	3.0	790	1888	610	-	R 1"	84.2	1	17184
Contraflex 1000/1.5 [6bar]	1000	1.5	790	2268	610	-	R 1"	95.0	1	17190
Contraflex 1000/2.5 [6bar]	1000	2.5	790	2268	610	-	R 1"	95.0	1	26925
Contraflex 1000/2.5 [6bar] white	1000	2.5	790	2268	610	-	R 1"	95.0	1	16359

Type	Capacity [l]	Pre-charge [bar]	Dimensions				Syst. conn. (D)	Weight [kg]		Order Code
			Ø A [mm]	B [mm]	Ø C [mm]	E [mm]				
Contraflex 1000/3.0 [6bar]	1000	3.0	790	2268	610	-	R 1"	95.0	1	17194


Find more information online:
[Installation and operating instruction](#)
[Declaration of conformity PED 2014/68/EU](#)
[Declaration of conformity UKCA](#)
[Contraflex DWG](#)
[Contraflex RFA](#)
[Contraflex STEP](#)
[Packaging data](#)

Fort Blauwkapel 1
1358 DB, Almere - nl

T +31 (0)36 52 62 300
E info@aalberts-hfc.com
I flamcogroup.com