



**SERIES ZRS100**



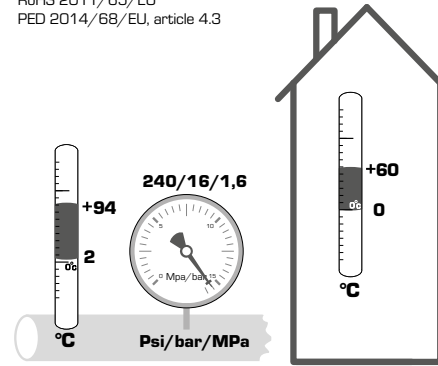
Mtrl.nr. 9814 09 50 • Ritrn.nr 9272 utg B • Rev 1605  
Printed in EU



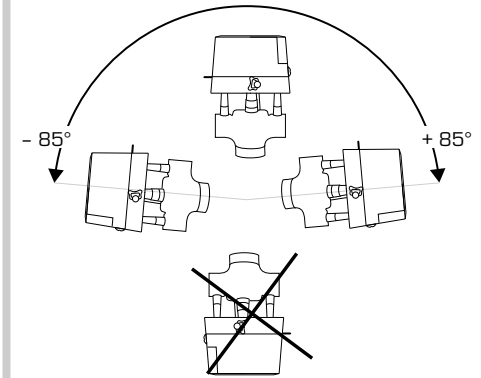
Series ZRS 12x  
Series ZRS 13x

CE

LVD 2014/35/EU  
EMC 2014/30/EU  
RoHS 2011/65/EU  
PED 2014/68/EU, article 4.3

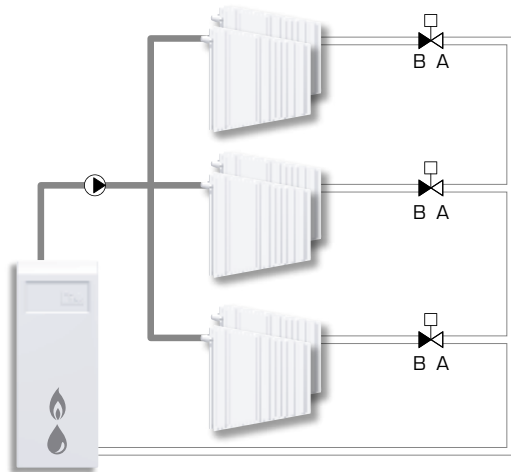


**1**

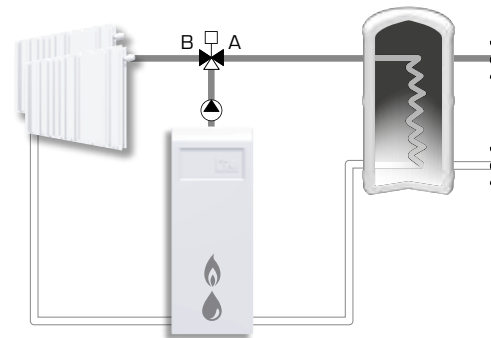


**i**

**Series ZRS 12x**

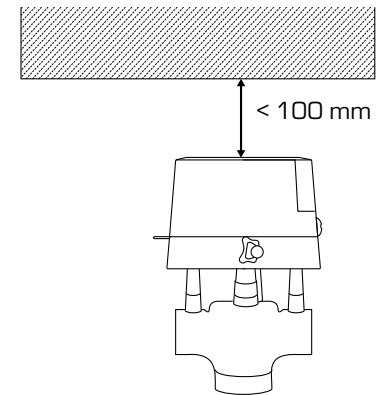


**Series ZRS 13x**



*Piping Schematics are General Representations*

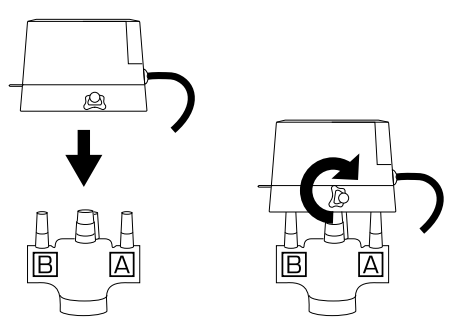
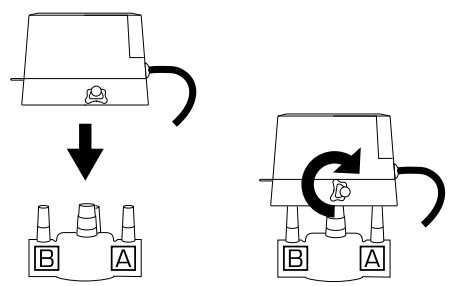
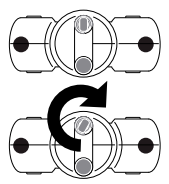
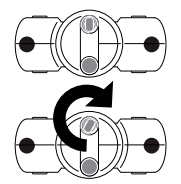
**2**



**3**

Series ZRS 12x

Series ZRS 13x

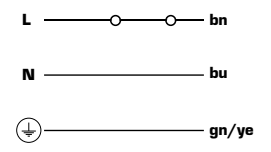
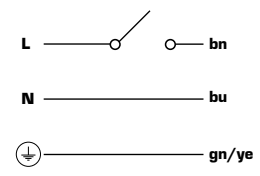
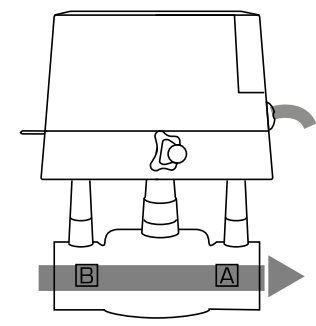
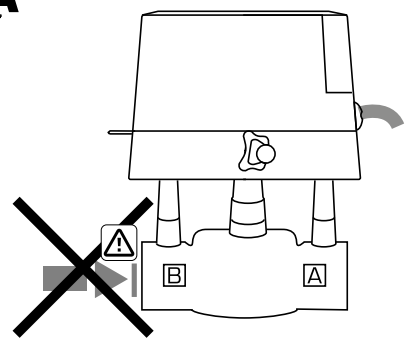


**4A**

Series ZRS 12x

**4B**

Series ZRS 12x

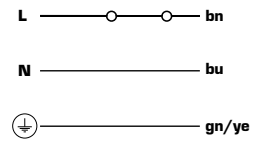
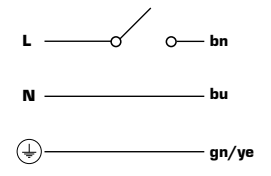
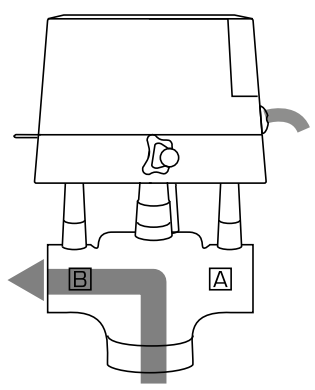
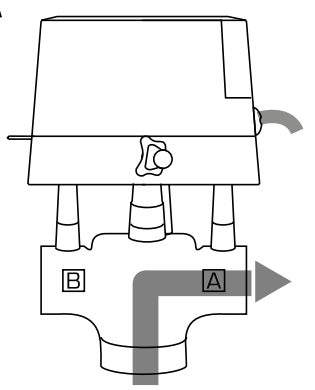


**5A**

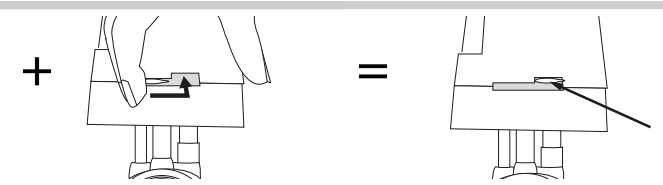
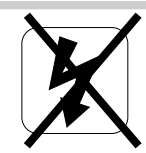
Series ZRS 13x

**5B**

Series ZRS 13x



**i**

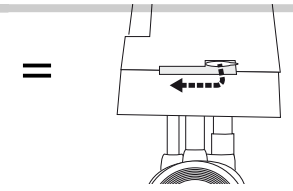
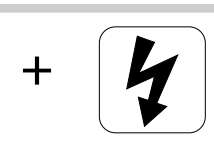
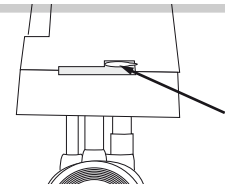
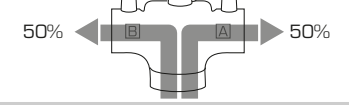
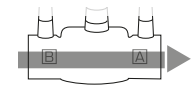


Series ZRS 12x

Series ZRS 13x



Manual mode =



Series ZRS 12x

Series ZRS 13x



Auto mode =

**4A/4B**

**5A/5B**