

Product information

78 23 125 SB

Electronic Super Knips®

DIN ISO 9654



- Cutting edge hardness approx. 54 HRC
- INOX tool steel
- Precision pliers for ultra fine cutting work, e. g. in electronics and fine mechanics
- Ground, very sharp cutting edges without bevel
- Precisely shaped tips cut wires close to a surface from Ø 0.2 mm
- Shear cut with controlled micro cutting edge misalignment for the most precise cutting of even the thinnest of wires and for a long service life
- Joint with stainless steel rivet
- Extremely smooth movement for minimum operator fatigue
- With opening spring and opening limiter

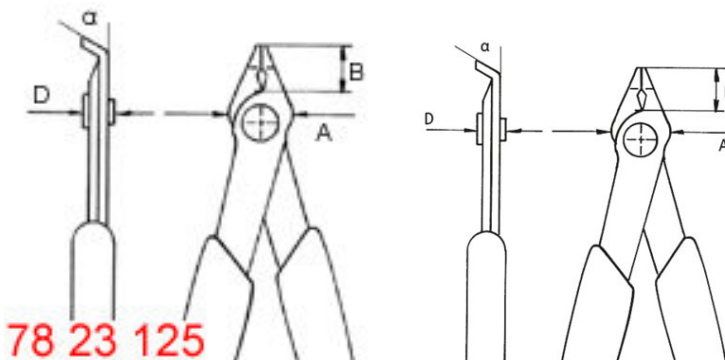
MM 60°

General

Article No.	78 23 125 SB
EAN	4003773027348
Head	polished
Handles	with multi-component grips
Weight	70 g
Dimensions	125 x 85 x 18 mm
Standard	DIN ISO 9654
Reach	no
RohS	no

Technical details

Cutting capacities medium hard wire (diameter)	Ø 0.6 mm
Cutting capacities soft wire (diameter)	Ø 0.2 – 1 mm
Jaw length (B)	5.5 mm
Jaw thickness (joint) (D)	7.5 mm
Head width (A)	13.5 mm





Classification	
eCl@ss 5.1.4	21040302
ETIM 5.0	EC000165
ETIM 6.0	EC000165
proficl@ss 6.0	AAA949c004
UNSPSC 13.1	27112149

technical change and errors excepted