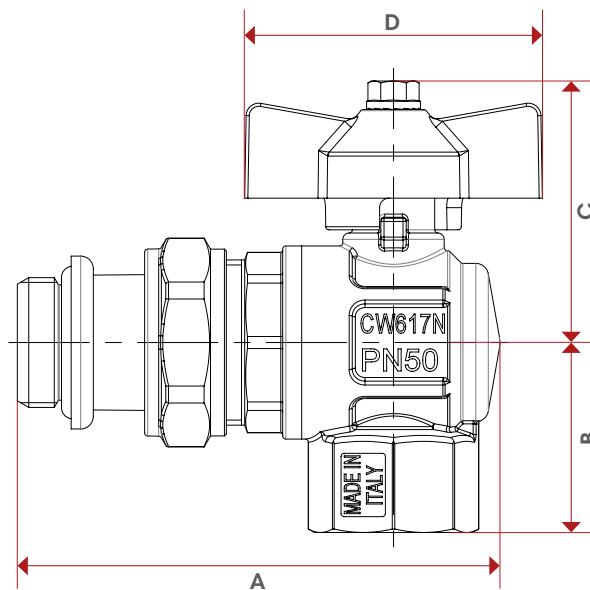


298S



TEC



| | 1/2" | 3/4" | 1" |
|------------------------|------|------|-------|
| DN | 15 | 20 | 25 |
| A | 76,2 | 89,5 | 105,5 |
| B | 30 | 33,5 | 39,75 |
| C | 41 | 47 | 51 |
| D | 47 | 62 | 62 |
| Kg/cm ² bar | 50 | 40 | 40 |
| LBS - psi | 725 | 580 | 580 |